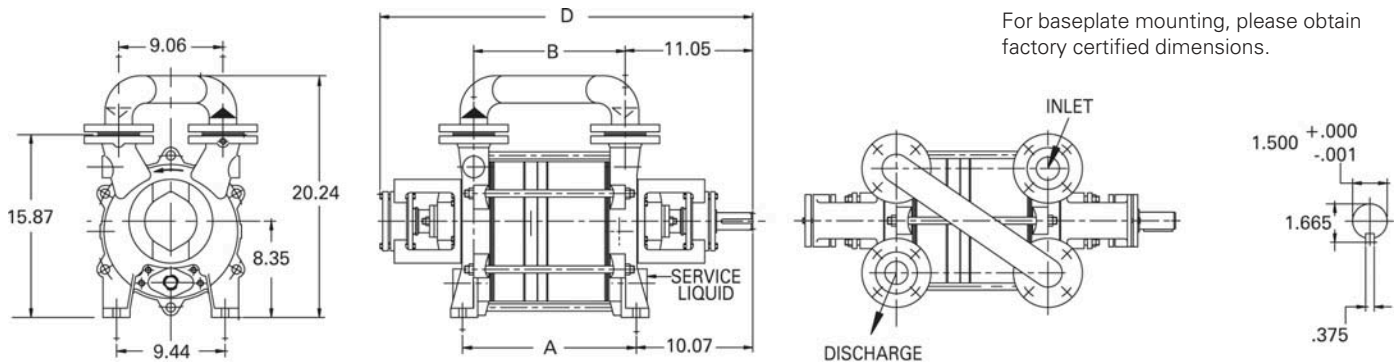


Dimensions (inches)

Pump Model	A	B	C	D
55312	15.13	13.17		32.30
55316	16.71	14.75		33.88
55320	19.07	17.11		36.24

For connection sizes/ratings and motor sizes, refer to engineering data table on reverse.



Capacity Table

Pump Model - LPH 55312														
Speed (RPM)	20" Hg 252 Torr		22.5" Hg 188 Torr		25" Hg 125 Torr		27.5" Hg 61.5 Torr		28" Hg 49 Torr		28.7" Hg 31 Torr		28.9" Hg 25 Torr	
	acfm	HP	acfm	HP	acfm	HP	acfm	HP	acfm	HP	acfm	HP	acfm	HP
1750	177	15.4	196	14.0	199	13.9	186	13.3	173	13.2	130	12.8	117	12.8
1450	155	9.9	166	9.9	168	9.6	151	9.2	137	9.2	106	9.0	94	9.0
1150	118	7.0	123	7.0	124	7.0	119	6.6	110	6.6	82	6.5	71	6.5
Pump Model - LPH 55316														
1750	228	16.8	244	16.8	248	15.8	230	14.5	210	14.3	149	14.1	122	14.0
1450	185	12.3	196	12.3	202	11.6	187	10.5	172	10.2	125	10.1	109	10.0
1150	135	8.7	145	8.6	148	8.2	130	7.5	118	7.3	87	7.2	76	7.2
Pump Model - LPH 55320														
1750	247	20.0	302	19.8	315	19.5	290	19.2	265	18.8	183	18.3	148	17.6
1450	224	14.4	242	14.5	247	13.8	232	12.7	213	12.4	153	12.0	123	11.9
1150	147	11.8	157	12.8	160	13.0	143	12.6	131	12.4	106	12.0	82	11.9

This data represents average values for pumps in standard materials. Capacity in actual cubic feet per minute at 68°F (20°C) using 60°F (16°C) water as a service liquid. Vacuum in inches Hg. Barometric pressure at sea level 29.92" Hg abs. (760 Torr). All performance data per HEI standards; subject to SIHI standard tolerances.

All data subject to change without notice.

03.LPH 55000.01

Printed in U.S.A.



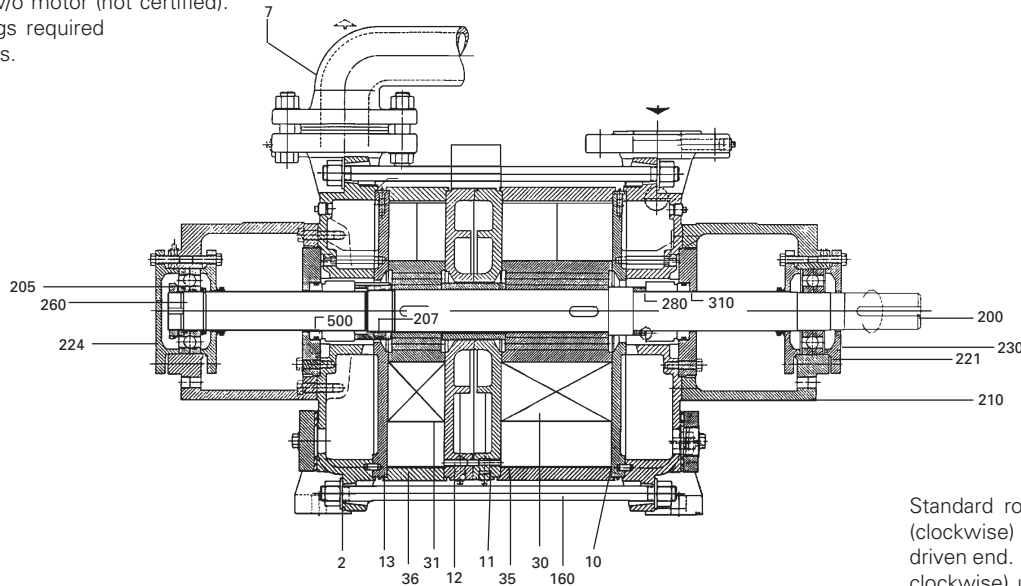
DATA-LPH 55000-2018MAR19
© 2018 Flowserve Canada Corp.

ENGINEERING DATA

PUMP MODEL	55312	55316	55320
Gas Conn. Size/Rating (U)	2"/150 RF	2"/150 RF	2"/150 RF
Service Liq. Line Size/Rating (U _B)	1"/NPT	1"/NPT	1"/NPT
Cont. Drain Size/Rating (U _{se})	¼"/NPT	¼"/NPT	¼"/NPT
Motor (@ 1750 rpm) HP	20	20	25
Bare Pump Wt. (lb)	306	332	359
Pump & Motor Unit Wt. (lb)	698	744	856
4 Min. V-Belt Sheave Dia.	7.9"	7.9"	N/A
Separator Model - XBA	2041	2041	2041
Separator Size - Recirc. (Gal.)	20	20	20
12 Norm. Max. Gas Temp. (°F)	200	200	200
2 Max. Service Liq. Temp. (°F)	180	180	180
3 Sound Level @ 27.6" HgV (dBA)	66	66	66
Moment of Inertia Wr ² (lb. ft ²)	3.25	3.84	4.86
Casing Max. Working Pressure (psi)	30	30	30
Pneumatic Test Pressure (psig)	15	15	15

1. Max. gas temperature with saturated gases.
2. Higher temperatures possible on request.
3. At 3 ft., 1750 RPM w/o motor (not certified).
4. Special pump bearings required for V-Belt applications.

SECTIONAL



PARTS LIST

- | | | | |
|--------------------|------------------------|----------------------|----------------------|
| 1. Suction Cover | 13. Intermediate | 200. Shaft | 230. Bearing |
| 2. Discharge Cover | 30. Impeller | 205. Bearing Nut | 260. Bearing Spacer |
| 7. Bypass Manifold | 31. Impeller | 207. Impeller Nut | 280. Seal Spacer |
| 10. Intermediate | 35. Centerbody | 210. Bearing Housing | 310. Seal Cover |
| 11. Intermediate | 36. Centerbody | 221. Bearing Cover | 500. Mechanical Seal |
| 12. Intermediate | 160. Tie Bolt Assembly | 224. Bearing Cover | |

MATERIALS

ITEM	0A	0B
Casing - Wetted	Cast Iron	316 SS
Intermediates	Cast Iron	316 SS
Impeller(s)	Ductile Iron	Ductile Iron
Shaft	420 SS QT	316 SS
Shaft Sleeves	N/A	N/A
Mechanical Seal	AAB ⁶	AAB ⁶
Casing - Non Wetted	Cast Iron	Cast Iron

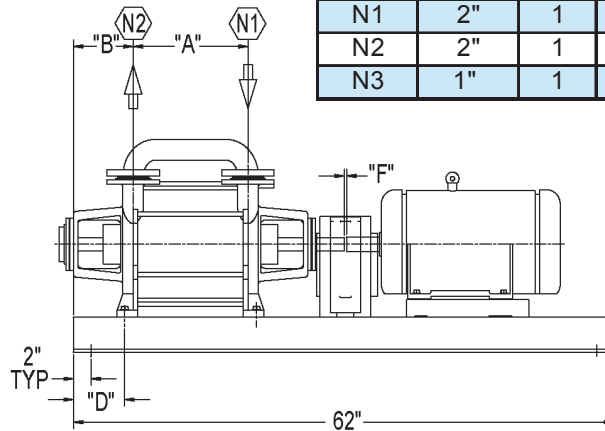
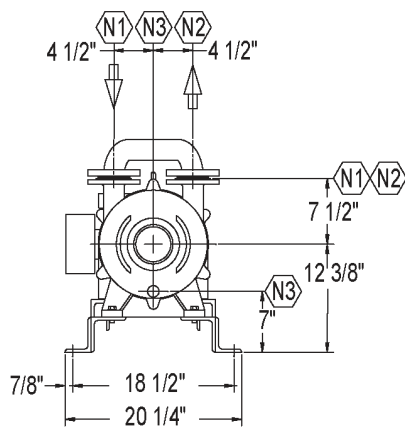
Standard rotation 'AB' (clockwise) viewed from driven end. 'AL' (counter-clockwise) upon request.

SERVICE LIQUID RATES (USGPM)

PUMP MODEL - LPH 55312															
Pump Speed	20" Hg 252 Torr			25" Hg 125 Torr			28" Hg 49 Torr			28.7" Hg 31 Torr			28.9" Hg 25 Torr		
	A	B	C	A	B	C	A	B	C	A	B	C	A	B	C
1750		4.2	2.7		4.0	2.5		4.1	2.5		4.1	2.5		4.2	2.6
1450	8.5	3.2	1.9	9.0	3.2	1.9	10.5	3.2	1.9	11.5	3.3	1.9	12.0	3.3	1.9
1150		2.5	1.5		2.6	1.5		2.6	1.4		2.6	1.4		2.6	1.5
PUMP MODEL - LPH 55316															
1750		4.4	2.9		4.5	2.9		4.5	2.8		4.6	2.0		4.7	2.8
1450	9.0	3.7	2.0	10.0	3.7	2.3	11.5	3.6	2.7	12.5	3.6	2.1	13.5	3.7	2.7
1150		3.0	1.6		2.9	1.7		2.8	1.4		2.8	1.6		2.9	1.6
PUMP MODEL - LPH 55320															
1750		4.9	3.2		5.3	3.4		5.5	3.4		5.7	3.5		5.6	3.4
1450	10.0	4.2	2.7	12.0	4.4	2.7	14.0	4.3	2.6	15.5	4.4	2.6	16.0	4.4	2.5
1150		3.8	2.3		4.3	2.6		4.3	2.6		4.4	2.6		4.4	2.5

Column 'A' is the flow in USGPM required - once through.
 Column 'B' is the make-up flow required when make-up water is 5°C (9°F) cooler than service water.
 Column 'C' is the make-up flow when make-up water is 10°C (18°F) cooler than service water.

BASE ASSEMBLY

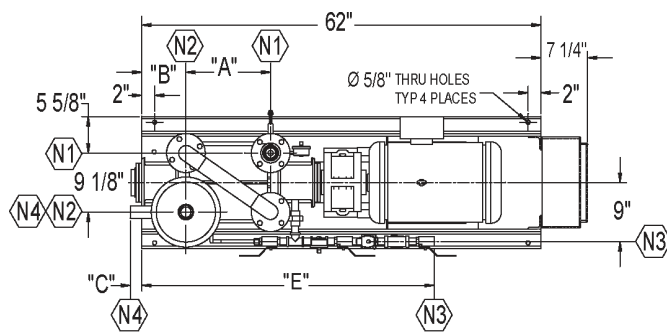


Nozzle Schedule				
Nozzle	Size	Qty.	Description	Service
N1	2"	1	FNPT	Suction
N2	2"	1	MNPT	Vent
N3	1"	1	FNPT	Service Liquid

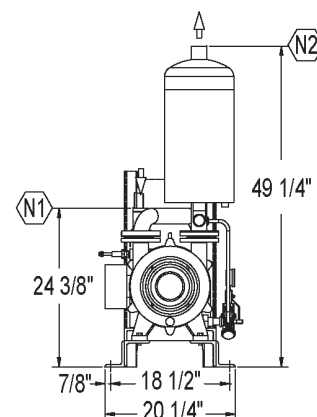
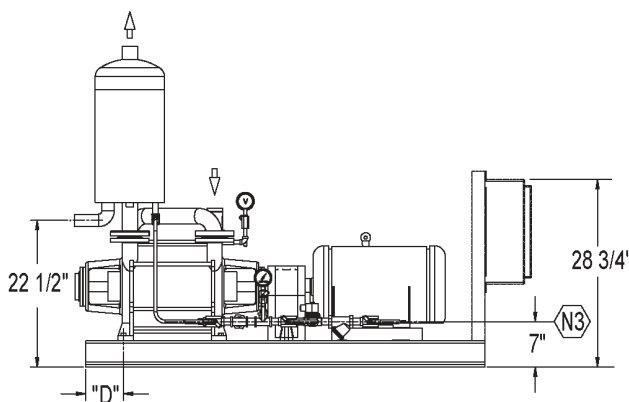
SIHI Pump Model No.	Motor HP/RPM	Motor Frame Size	Baseplate	Approx Shipping Weight	A	B	D	F
LPHR-55312	20 / 1750	256T F1	B2208-32	764	13-1/8"	6-7/8"	5-7/8"	1/4"
LPHR-55316	20 / 1750	256T F1	B2208-32	782	15-7/8"	5-1/4"	4-1/4"	1/4"
LPHR-55320	25 / 1750	284T F1	B2208-43	899	17-1/8"	2-7/8"	1-7/8"	3/4"

Dimensions subject to change, consult factory for certified drawing if required.

XBAR STANDARD PACKAGE



Nozzle Schedule				
Nozzle	Size	Qty.	Description	Service
N1	2"	1	FNPT	Suction
N2	2"	1	MNPT	Vent
N3	1"	1	FNPT	Service Liquid
N4	1-1/2"	1	MNPT	Overflow



System Model No.	Motor HP/RPM	Motor Frame Size	Xba Tank Model No.	Baseplate	Approx Shipping Weight	A	B	C	D	E
XBAR-55312	20 / 1750	256T F1	2041	B2208-32	890	13-1/8"	6-7/8"	1-3/4"	5-7/8"	45-3/8"
XBAR-55316	20 / 1750	256T F1	2041	B2208-32	908	15-7/8"	5-1/4"	3-3/8"	4-1/4"	46-5/8"
XBAR-55320	25 / 1750	284T F1	2041	B2208-43	1025	17-1/8"	2-7/8"	5-3/4"	1-7/8"	45-3/8"

Dimensions subject to change, consult factory for certified drawing if required.

All data subject to change without notice.

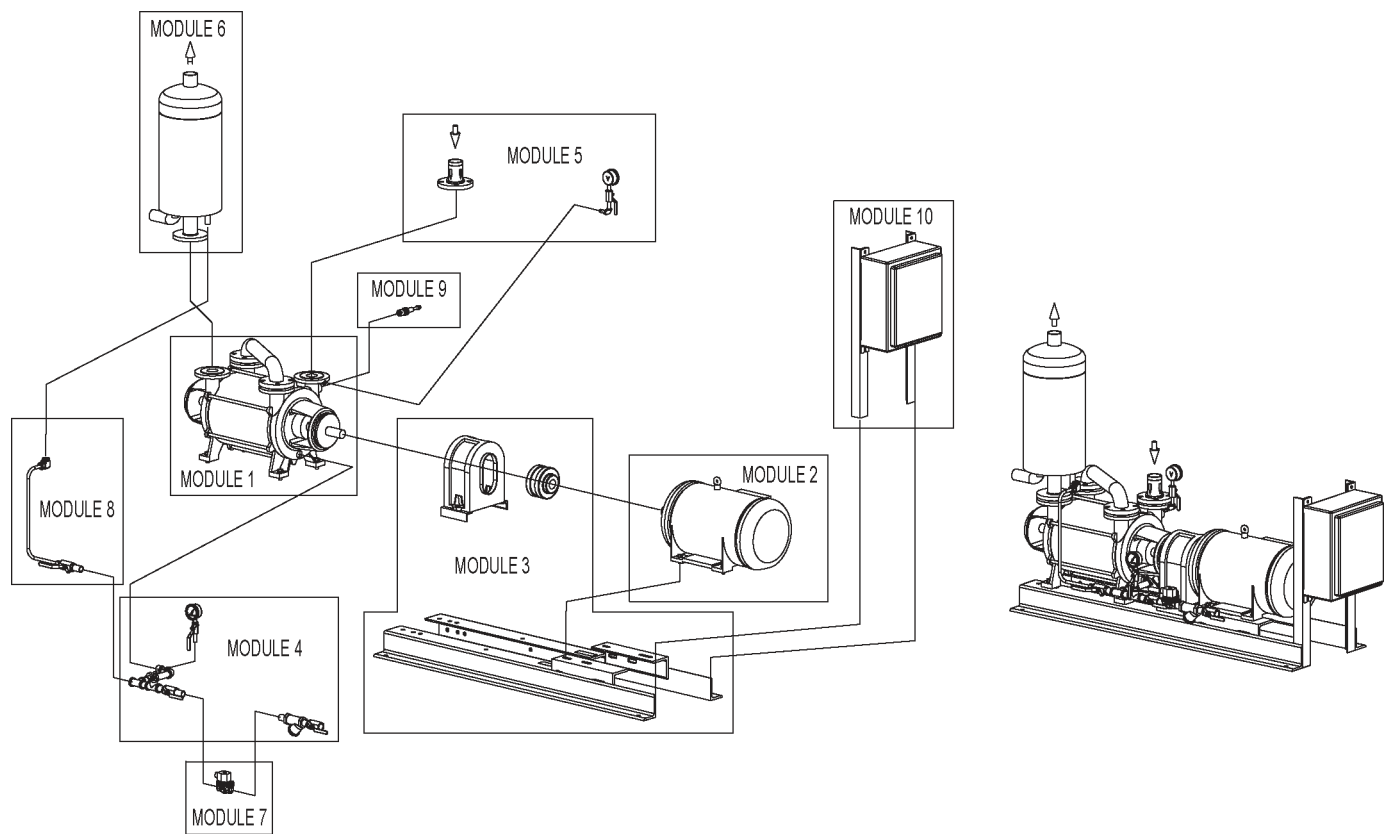
03.LPH 55000.03

Printed in U.S.A.



DATA-LPH 55000-2018MAR19
© 2018 Flowserve Canada Corp.

XBAR STANDARD PACKAGE MODULAR CONSTRUCTION



Pump Series:		55000 Series			
Module	Description	Details	Module Standard Construction Options		
Module 1	Pump	Material	0A	0B	4B
Module 2	Motor	HP	20.0		25.0
		RPM	1750		
		Enclosure	TEFC		EXPF
		Voltage	208-230/460		575
		Phase	3		
Module 3	Base Assembly	Base / Coupling / Guard	Rail Base & Flex Coupling & Guard to OSHA Guidelines		
Module 4	Service Liquid Line (less solenoid valve)	Valve / Piping	Bronze / CS	CS / CS	Stainless / Stainless
Module 5	Inlet Vacuum Line	Valve / Piping	Bronze / CS	CS / CS	Stainless / Stainless
Module 6	Discharge	Separator / Piping	CS / CS		Stainless / Stainless
Module 7	Solenoid Valve	Enclosure	NEMA 4		NEMA 7
		Voltage	24VDC	120V/60Hz	110V/50Hz
		Material	Bronze		Stainless Steel
Module 8	Recirculation Line	Valve / Tubing	Bronze / Bronze	CS / CS	Stainless / Stainless
Module 9	Vacuum Relief Valve	Material	Bronze	Iron	Stainless Steel
Module 10	Control Panel	Enclosure	NEMA 4		NEMA 7
		Voltage	230	460	575